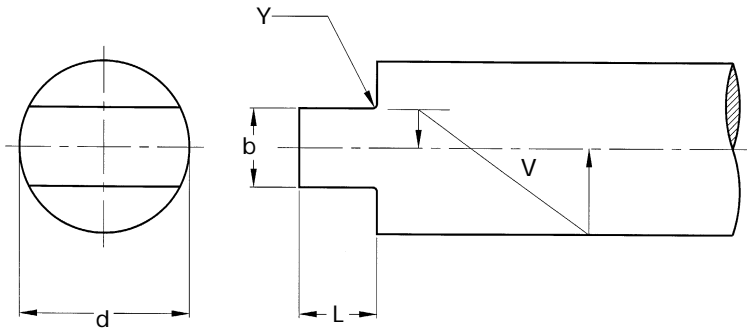
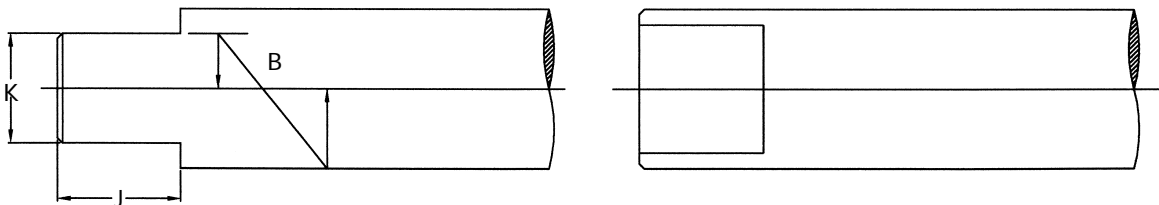


Metric Tangs to Din 1809



Shank Diameter Range (d)	b	L	Y	V
3.001 - 3.500	1.5 - 1.6	2.2	0.2	
3.501 - 4.000	1.9 - 2.0	2.2	0.2	
4.001 - 4.500	2.1 - 2.2	2.5	0.2	
4.501 - 5.500	2.4 - 2.5	2.5	0.2	±0.05
5.501 - 6.500	2.9 - 3.0	3	0.2	
6.501 - 8.000	3.4 - 3.5	3.5	0.2	
8.001 - 9.500	4.4 - 4.5	4.5	0.4	
9.501 - 11.000	4.9 - 5.0	5	0.4	±0.06
11.001 - 13.000	5.9 - 6.0	6	0.4	
13.001 - 15.000	6.9 - 7.0	7	0.4	
15.001 - 18.000	6.9 - 7.0	8	0.4	±0.07
18.001 - 21.000	6.9 - 7.0	10	0.4	
21.001 - 24.000	10.8 - 11.0	11	0.6	
24.001 - 27.000	12.8 - 13.0	13	0.6	
27.001 - 30.000	13.8 - 14.0	14	0.6	
30.001 - 34.000	15.8 - 16.0	16	0.6	±0.10
34.001 - 38.000	17.8 - 18.0	18	0.6	
38.001 - 42.000	19.8 - 20.0	19	0.6	
42.001 - 46.000	21.8 - 22.0	20	1	
46.001 - 50.000	23.8 - 24.0	22	1	±0.15

ANSI Tangs



B=Concentricity= 0.05

Shank Diameter Range

Fraction	Decimal	MM	Max	K	Min	J
						MM
1/8 - 3/16	0.1250 - 0.1875	3.175 - 4.764	2.39		2.29	7.14
3/16 - 1/4	0.1876 - 0.2500	4.765 - 6.352	3.10		3.00	7.94
1/4 - 5/16	0.2501 - 0.3125	6.353 - 7.939	4.11		4.01	8.73
5/16 - 3/8	0.3126 - 0.3750	7.940 - 9.527	5.16		5.05	9.53
3/8 - 15/32	0.3751 - 0.4688	9.528 - 11.909	6.17		6.07	11.11
15/32 - 9/16	0.4689 - 0.5625	11.910 - 14.289	7.70		7.54	12.7
9/16 - 21/32	0.5626 - 0.6563	14.290 - 16.672	9.47		9.32	14.29
21/32 - 3/4	0.6564 - 0.7500	16.673 - 19.052	11.25		11.10	15.88
3/4 - 7/8	0.7501 - 0.8750	19.053 - 22.227	13.06		12.90	17.46
7/8 - 1"	0.8751 - 1.0000	22.228 - 25.402	15.47		15.27	19.05
1" - 1,3/16	1.0001 - 1.1875	25.403 - 30.164	17.78		17.58	20.64
1,3/16 - 1,3/8	1.1876 - 1.3750	30.165 - 34.925	20.75		20.55	22.23